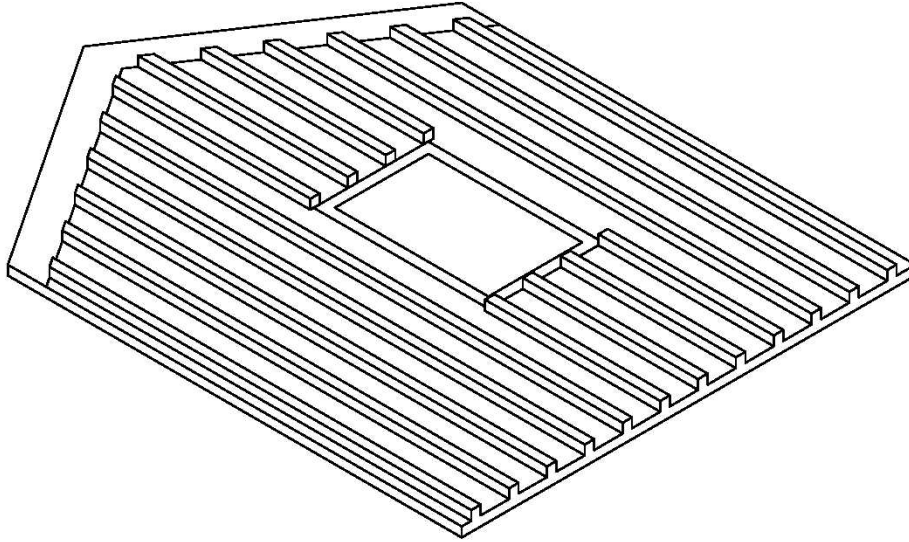


TRIMMING BOARD AND BATTEN SIDING FOR EXTERIOR TRIM



Board & Batten

I wanted to talk about special considerations when using Board and Batten siding and trim pieces which get applied on top of this siding. Generally on clap-board siding, we just apply the trim to the top of the siding because the claps are not very pronounced. With B&B siding, the battens stand a little too proud of the boards for the trim to just be applied over the top of the battens. That and there is precious little surface for the adhesive to grab onto the battens. Therefore I generally trim the battens away from the area that the trim will attach to.

What I have done on my kits is to laser etch a line, on the siding, at the boundary of the trim. This line is a good reference from trimming the battens.

So how do I trim the battens?

Before painting the siding, I take a sharp bladed hobby knife and score through the battens, on the trim line, to make sure they are cut through to the boards, but not too deep.

If the trim is on an outer edge of the siding, as in the top in the view above, take a straight object, like a metal ruler, lay it parallel to the trim line and on the side that doesn't get trimmed away. Press down slightly to secure the battens that do not get removed, and with a sanding stick, sand away the exposed battens. They generally sand right off.

With interior battens around windows and doors, I use a slightly different technique. I take my hobby knife and flick away the short little battens. While this may leave a slightly rougher surface in that area, you are covering this area with trim so who cares.

Where battens are within the trim area but they are on the long edge, this requires a little more finesse by taking the hobby knife sharp blade and plane, so to speak, the batten off the boards.

Once these steps are completed, look everything over to make sure you didn't miss any battens. When satisfied, paint the siding the base color. This will help to cover any small errors on your part. Paint the trim, usually a different color, and because the siding is painted, as well as the area under the trim, a nice finish should be achieved.